

This series of regulators have great sensitivity and high stability of outlet pressure, regardless of any variation of inlet pressure.

Widely used in low pressure gas distribution systems.

With internal filter and venting device for high output pressure with automatic reset.

The model S-417 also has a safety device for shut off (SSV) with manual reset, which acts in the presence of excess or reduction of outlet pressure.

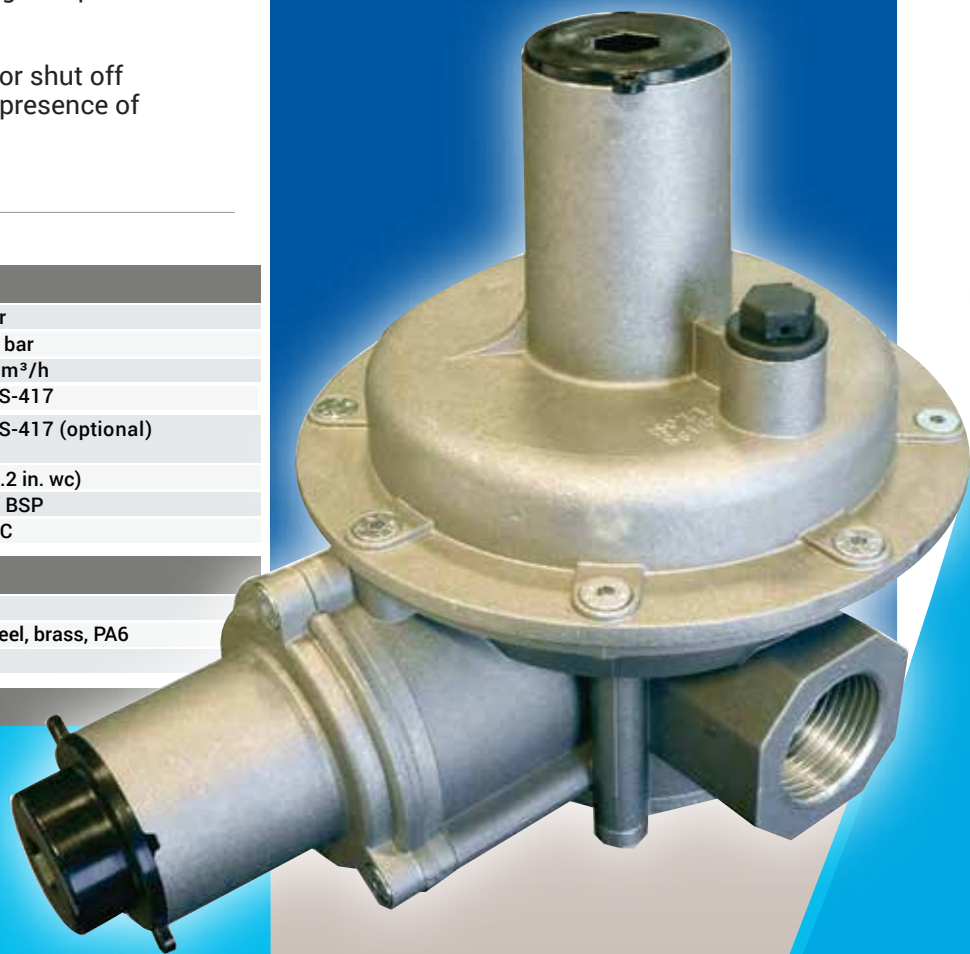
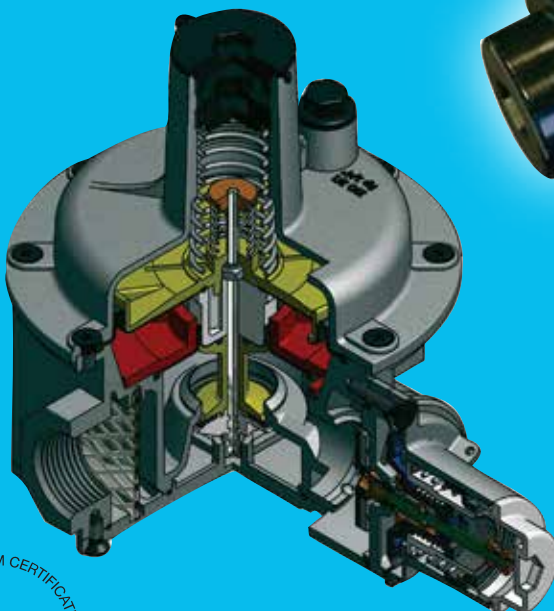
TECHNICAL DATA

Inlet pressure	0.02 to 4 bar
Output pressure	0.012 to 0.3 bar
Rated capacity	Up to 260 Nm ³ /h
High output pressure shut off	Only model S-417
Low output pressure or excess flow shut off	Only model S-417 (optional)
Minimum pressure differential	0.030 bar (1.2 in. wc)
Connections	Threaded 1" BSP
Operating temperature	-20°C to 60°C

MATERIALS

Main body:	Aluminum
Internal:	Stainless steel, brass, PA6
Diaphragm and Shutter:	Nitrile

SECTIONAL VIEW



Pressure Regulator
EQA S-402/S-417

CHART OF CAPACITIES FOR NATURAL GAS

Capacity in Nm³ / hour for Natural Gas (Density 0.6 - Sensitivity 10%)

Input pressure (bar)	Regulated pressure (bar)													
	0.012	0.02	0.03	0.04	0.05	0.07	0.08	0.10	0.12	0.16	0.18	0.20	0.25	0.30
0.02	12	-	-	-	-	-	-	-	-	-	-	-	-	-
0.03	15	18	-	-	-	-	-	-	-	-	-	-	-	-
0.05	18	33	35	35	-	-	-	-	-	-	-	-	-	-
0.08	23	40	45	45	50	35	-	-	-	-	-	-	-	-
0.10	28	45	55	60	60	60	50	-	-	-	-	-	-	-
0.13	36	55	60	67	72	80	60	45	40	-	-	-	-	-
0.16	45	80	85	90	90	90	90	60	55	-	-	-	-	-
0.20	47	80	85	100	110	110	110	80	80	50	50	-	-	-
0.25	53	90	100	120	120	120	120	90	90	70	70	70	-	-
0.30	60	100	110	130	130	130	130	100	100	100	100	100	75	-
0.40	75	100	110	140	140	160	160	140	140	140	140	140	120	120
0.50	75	110	110	140	140	160	160	160	160	160	160	180	180	180
0.70	75	110	110	140	140	160	160	160	160	200	200	220	220	220
1.00	75	110	110	140	140	160	160	160	160	220	220	240	240	240
1.40	75	110	110	140	140	160	160	160	160	220	260	260	260	260
1.50	75	110	110	140	140	160	160	160	160	220	260	260	260	260
2.00	75	110	110	140	140	160	160	160	160	220	260	260	260	260
2.50	75	110	110	140	140	160	160	160	160	220	260	260	260	260
3.00	75	110	110	140	140	160	160	160	160	220	260	260	260	260
3.50	75	110	110	140	140	160	160	160	160	220	260	260	260	260
4.00	75	110	110	140	140	160	160	160	160	220	260	260	260	260

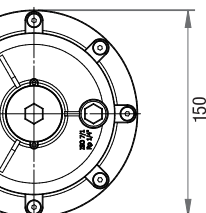
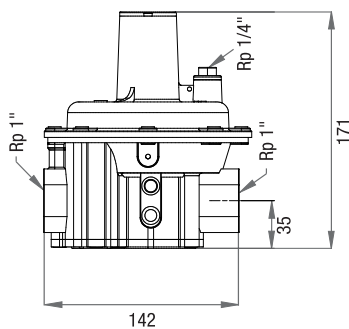
To obtain capacities for other gases, multiply the value of the chart by the K factor

GAS	DENSITY	K
Butane	2	0.55
GLP	1.5	0.63
Carbon dioxide	1.5	0.63
Oxygen	1.1	0.74
Air	1	0.77

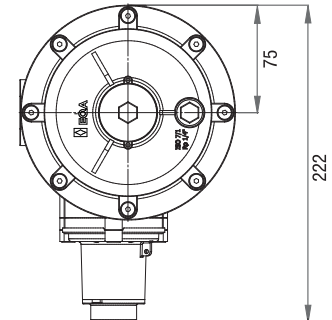
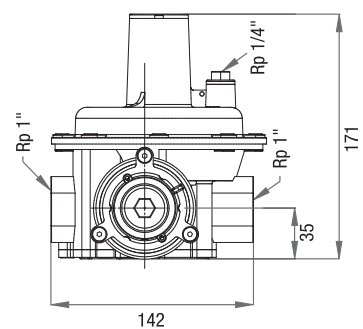
GAS	DENSITY	K
Nitrogen	0.97	0.79
Acetylene	0.9	0.82
Ammonia	0.59	1.02
Hydrogen	0.07	3
Biogas**	max 1.2	0.7
	min 0.8	0.75

** Correct operation is guaranteed only with treated Biogas (reduced sulfur values).

DIMENSIONS in mm.



S-402



S-417

EQA S.A.I.C.

26 de Abril N° 3836 – ITUZAINGO (1714)
 Pcia. de Buenos Aires – ARGENTINA
 Ph. (54 11) 4481-9950 and rotary / Fax. (54 11) 4481-9288
 e-mail: eqa@eqa.com.ar – web site: www.eqa.com.ar

DISTRIBUTOR