

## INTRODUCTION

This burners have been designed for applications where a very uniform distribution of heat is needed, for great areas or different flame directions.

They are built in cast iron, in separated flanged modules of several shapes (see other page).

As the EQA 103 burners have a very quick propagation, it can be obtained very different shapes assembling the available options:

- Straight (30 cm and 40 cm)
- Straight (30 cm) with 3" bottom inlet
- Elbow (15 cm x 15 cm)
- Tee (15 cm x 30 cm)
- Cross (30 cm x 30 cm)

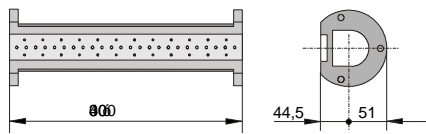
## APLICACIONES

- Air heating
- Tanks heating
- Paint ovens
- Enameling ovens
- Drying process

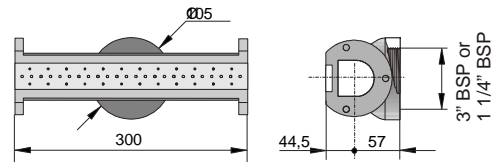


## DIMENSIONS

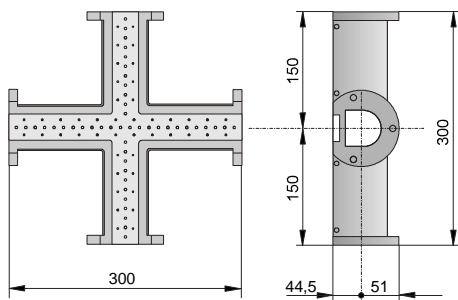
### STRAIGHT



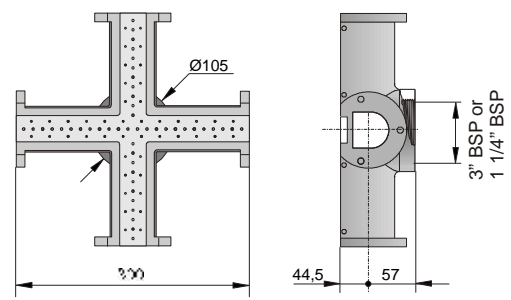
### STRAIGHT WITH BOTTOM INLET



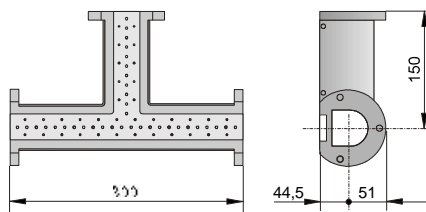
### CROSS



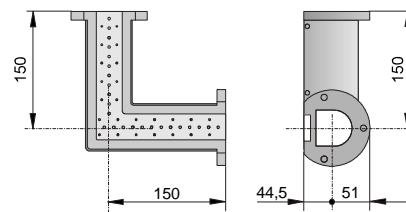
### CROSS WITH BOTTOM INLET



### TEE

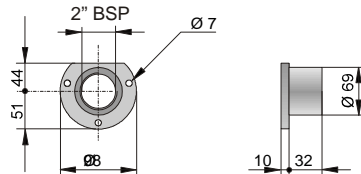


### ELBOW



## ACCESSORIES

### FLANGED INLET



### BLIND FLANGE

