

ZERO GOVERNOR

“ZERO” Governor model 7218

The “ZERO” governor 7218 has been designed to be used in gas combustion equipment with forced draught, to keep relation air-gas in the complete range of flow of burner.

Consequently, to modify the burner capacity, will be necessary just to calibrate the air valve, keeping proporcional the gas flow, due to the action of Zero governor.

Is designed for maximum pressures of 150 mbar, but can resist pressure increases of up to 300 mbar.

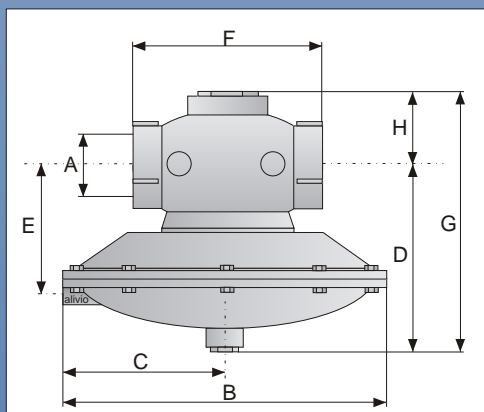


DIMMENSIONS (in mm.)

A		B	C	D	E	F	G	H
Inches	mm.							
3/4"	19	195	97,5	127	86,5	133	190	63
1"	25	195	97,5	127	86,5	133	190	63
1¼"	32	260	130	145	98	145	212	67
1½"	38	260	130	145	98	145	212	67
2"	51	343	171,5	192	115	168	282	90
3"	76	420	210	213	122	240	325	112
4"	102	470	235	330	185	370	470	140

Chart of capacities in Sm³/h
Natural Gas (dens. 0,6)

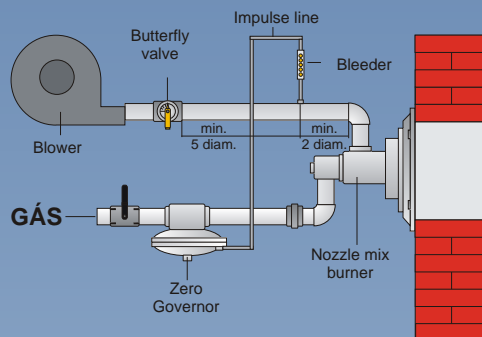
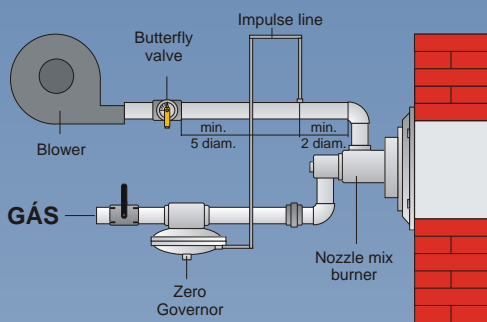
DIMENSIONS	Pressure Drop in mbar					
	4,5	9	11	13	17,5	26,5
3/4"	5	7	8	9	10	12
1"	8	11	13	14	16	20
1¼"	16	23	25	28	32	40
1½"	24	34	38	42	48	59
2"	48	68	76	83	96	118
3"	120	170	189	208	241	295
4"	214	313	348	382	443	542



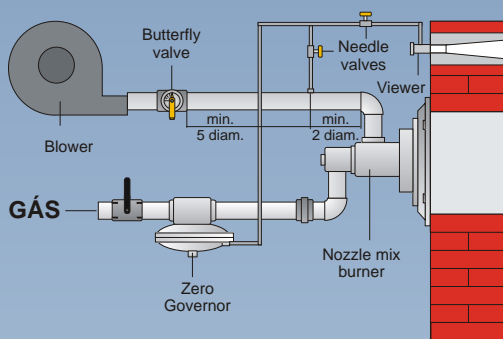
Nozzle Mixture gas burners: In every mixture burner or when there is no suction, there are two cases:

a) The gas pressure is more than air pressure: In this condition has to be connected the vent orifice of the ZERO governor to the air line, downstream of the control valve

b) The gas pressure is less than the air pressure: In this case should be done the same as before, but installing between the ZERO governor and the air line a Bleeder, that allows to get portions between 5% and 85%, of air pressure available. This connection way is used only when the pressure combustion chamber is atmospheric.

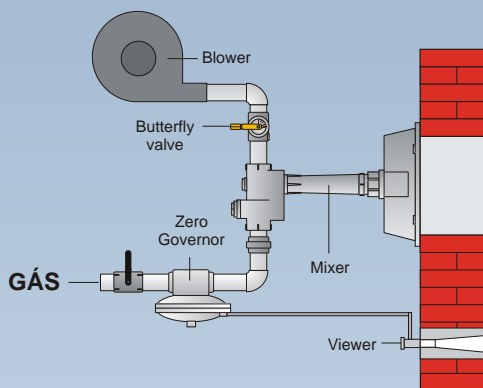
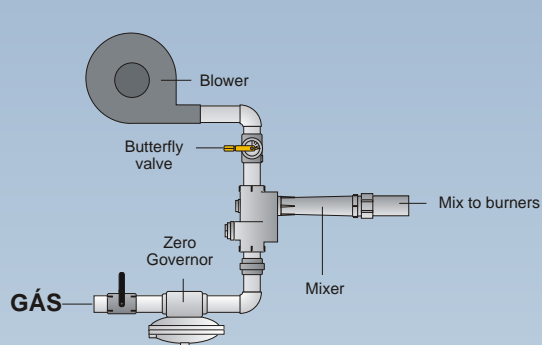


c) In cases of furnaces pressures different from atmospheric, has to be used for the impulse line the bleed system of air with two valves (or cocks).



Premix Gas Burners (EQA-76): In gas burners of this type can be installed directly in the gas line before premix, and is not necessary to do any type of additional connection.

Only in cases of furnaces with very different pressures from atmospheric, must be connected the vent orifice of the ZERO governor to the combustion chamber.



The technicals characteristics are subject to change without notice.

DISTRIBUTOR